

CSF

TIME DELAY TIMERS

Industrial Timer Company

30 Industrial Park Road

Centerbrook, CT 06409

800-394-7130

www.industrialtimercompany.com



DESCRIPTION

These standard time delay timers are designed for remote surface mounting where infrequent adjustment of the time delay setting is anticipated. CSF timers operate in ranges of one minute and above and use an external clutch to provide fast reset. The units feature automatic reset upon removal of power, and an isolated single pole, double throw load switch. The CSF also features a motor control switch to protect the motor at the end of the time cycle. Units are available with two SPDT load switches on special order. The CSF series may be specified with a reverse clutch.

APPLICATION

These timers are designed for applications that require medium repeat accuracy and reset time. Typical applications include: overhead door openers, furnace controls, welding equipment and a wide variety of industrial machinery.

OPERATION

- 1) To set the duration of the time delay, set the selector knob to the desired time.
- 2) To start the time delay, close the customer-supplied switch connecting power to the motor and/or clutch.
- 3) At the end of the delay period the switch in the timer will change state.
- 4) After the timer has reached the timed out position, open the switch connecting power to the motor and/or clutch.
- 5) To start the time delay again, wait for the timer to reset and close the switch supplying power to the motor and/or clutch.

STANDARD MODELS

Model Number	Time Cycle	Dial Division
CSF-1M	1 min	1 Sec.
CSF-3M	3 min	3 Sec.
CSF-5M	5 min	5 Sec.
CSF-15M	15 min	15 Sec.
CSF-30M	30 min	30 Sec.
CSF-60M	60 min	1 Min.

SPECIFICATIONS

Repeat Accuracy	Series CSF $\pm 1.5\%$ of full scale.
Reset Time	Series CSF 0.5 seconds at maximum setting.
Load Switch Contacts	Isolated SPDT switch, rated 15 amps 125, 250, or 480 VAC non-inductive.
Wiring	Screw Terminals
Voltage	120V/60Hz standard. Consult factory for other voltages and frequencies.
Agency Approvals	UL, CSA

CSF

TIME DELAY TIMERS

Industrial Timer Company

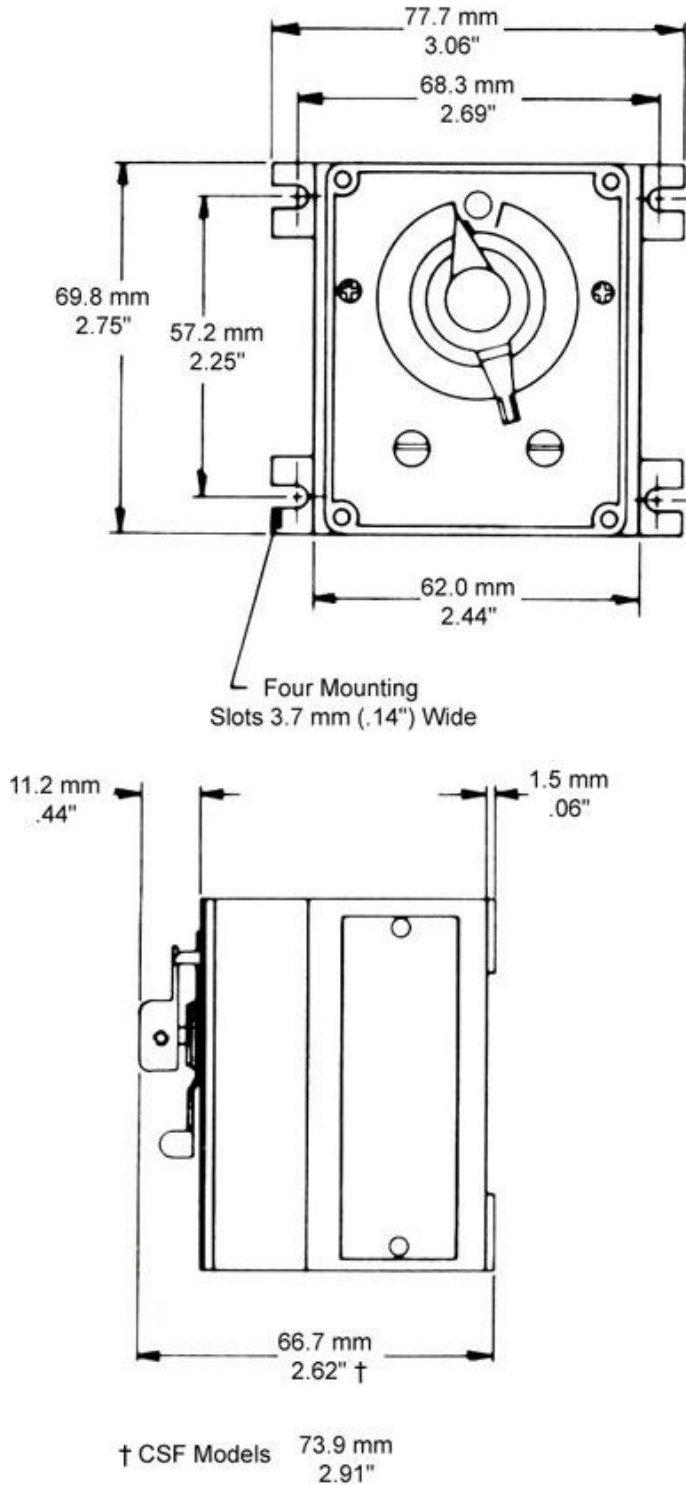
30 Industrial Park Road

Centerbrook, CT 06409

800-394-7130

www.industrialtimercompany.com

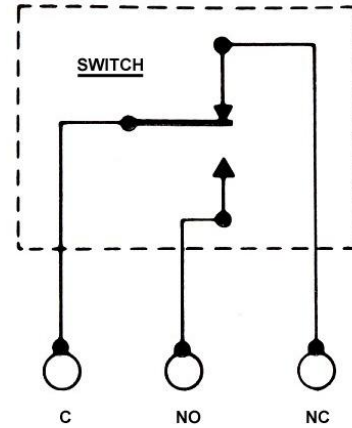
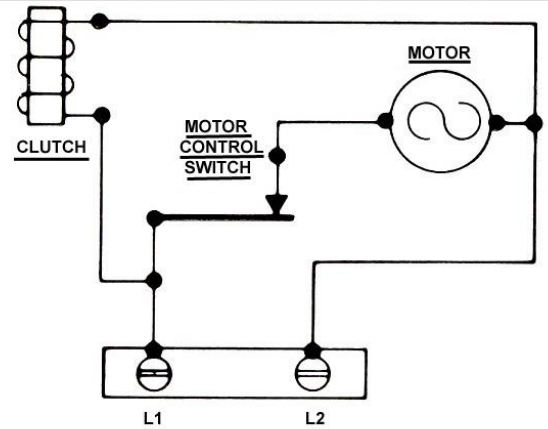
DIMENSIONS



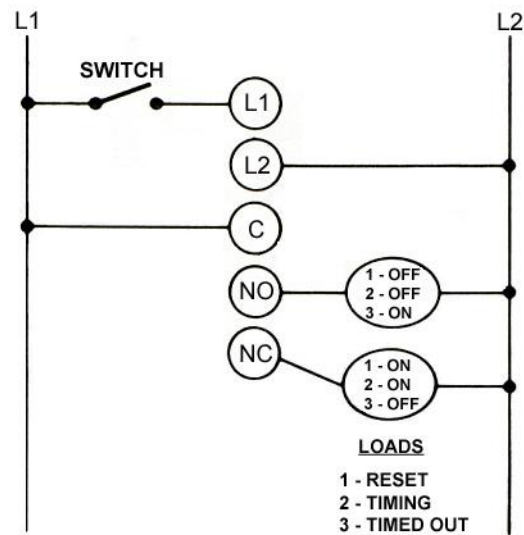
WIRING

CSF WIRING

LOAD SWITCH OPERATES AT END OF TIME CYCLE



CIRCUIT WIRING SUSTAINED CONTROL SWITCH



Close switch to start, open to reset.