

CM

PROGRAMMABLE TIMERS

Industrial Timer Company
 30 Industrial Park Road
 Centerbrook, CT 06409
 800-394-7130
www.industrialtimercompany.com



CM Series Timer

DESCRIPTION

These recycling timers repeat a continuous, adjustable on/off electrical cycle. They feature a heavy-duty synchronous motor mechanically connected to the camshaft through a unique gear and rack arrangement that allows 50 different speeds from each of the 12 available motor speeds. All load switches are single pole, double throw. The CM model is single switch. The unit is designed for base mounting.

APPLICATION

These heavy-duty timers are designed for applications requiring high reliability, flexibility and easy adjustment. Typical applications include: programming laboratory test, flashing light control, air dryer control, and machine sequence control. The shaft extension on the MCE can be used for progress indication or as an auxiliary drive for a potentiometer, etc.

OPERATION

There is no operator involvement in the operation of this device. When power is applied to the motor, it drives the cams that in turn drive the load switches to follow the preset program.

STANDARD MODELS

Model Number	Time Cycle
CM 0	1 sec.
CM 1	6 sec.
CM 2	15 sec.
CM 3	30 sec.
CM 4	60 sec.
CM 5	3 min.
CM 6	5 min.
CM 7	15 min.
CM 8	30 min.
CM 9	60 min.
CM 10	3 hr.
CM 11	5 hr.
CM 12	12 hr.

NOTE: Time cycles shown are with the C-12 (1:1 ratio) gear rack. For other speeds see gear rack chart.

SPECIFICATIONS

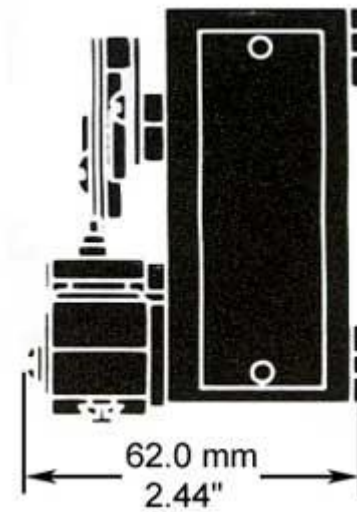
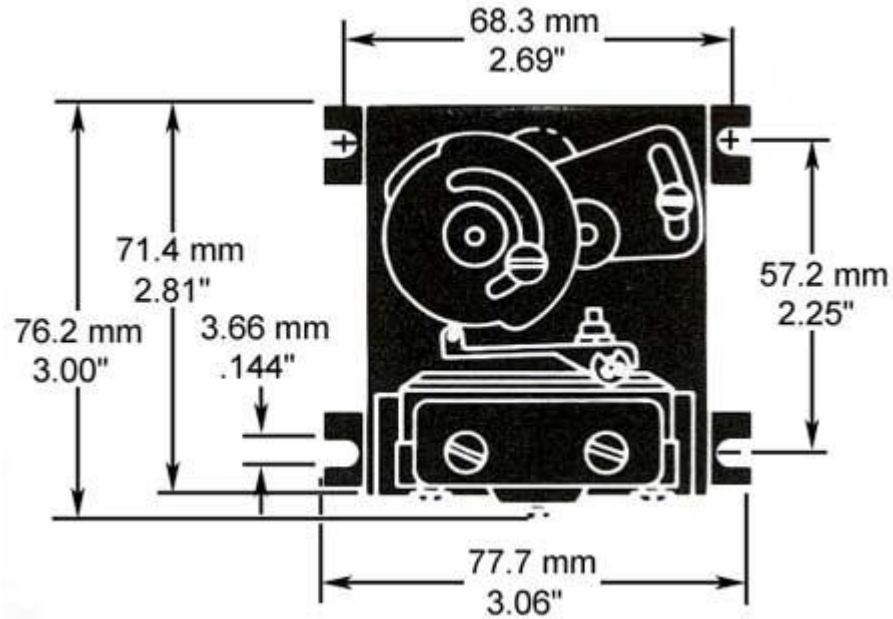
Voltage	110V Synchron Motor
Load Switch Contacts	15 amp 125, 250, or 480 VAC non-inductive SPDT
- OR -	
Voltage	120V Motor
Load Switch Contacts	15 amp 125, 250, or 480 VAC non-inductive SPDT
- OR -	
Voltage	220V Synchron Motor
Load Switch Contacts	20 amp 125, 250, or 480 VAC non-inductive SPDT
Wiring	Screw terminals
Minimum Cam Notch	Approx. 2% of total time cycle
Shaft Extension (MCE)	$\frac{3}{16}$ " diam., 2" long approx.
Agency Approvals	UL, CSA

CM

PROGRAMMABLE TIMERS

Industrial Timer Company
30 Industrial Park Road
Centerbrook, CT 06409
800-394-7130
www.industrialtimercompany.com

CM DIMENSIONS



CM

PROGRAMMABLE TIMERS

Industrial Timer Company

30 Industrial Park Road

Centerbrook, CT 06409

800-394-7130

www.industrialtimercompany.com

CM WIRING

CM WIRING

